

# ASSEMBLY INSTRUCTIONS

1.

2.

**NOTE:**

1. It is important to put the screw (F) **vertically** to the arm hole and bolt (Nut).
2. The allen key (G) should be fully inserted to the screw head (F), then start tighten .

3.

4.

Push the caps(I) if you do not need arms

A.		B.	
	1 PC		1 PC
C.		D.	
	5 PCS		1 PC
E.		F.	
	1 PAIR		4 PCS
G.		H.	
	1 PC		4 PCS
I.			
	4 PCS		

Model: NR4119/NR4106/NR4139/NR4206/NR4219/NR4239  
 Manufactured for/ Hecho para/ Fabriqué pour Alera®/ Essendant Co.,  
 One Parkway North, Deerfield, IL 60015 © 2016 Essendant Co.  
 Made in/ Hecho en/ Fabriqué en China  
 Product support and parts: 1-800-733-4000  
 Ayuda del producto y partes / Support technique et pieces

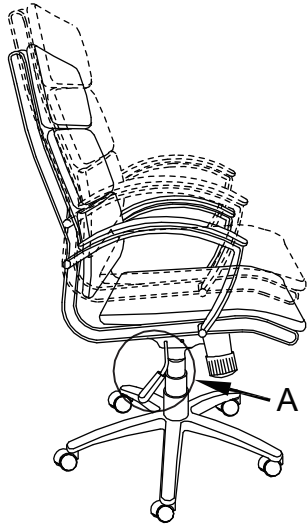


# OPERATING INSTRUCTIONS

Model: ALE-NR4119/NR4106/NR4139/NR4206/NR4219/NR4239

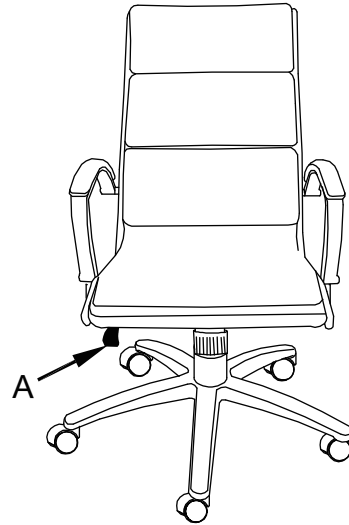
## Seat Height

To raise the seat height, stand up from the chair while lifting the lever, "A," under the right side of the seat. To lower the seat height, lift the lever, "A," while sitting in the chair.



## Tilt Lock

Pull lever, "A," on the right side of the seat away from the chair and lean back to recline. To lock chair in upright position, push lever back towards the chair.



## Tilt Tension

Knob underneath seat adjusts ease with which chair reclines to the different weights and strengths of different users. To increase tension turn knob to the right. To release tension (loosen), turn knob to the left.

